



Periodical preventative  
maintenance

Flexo Shower-toiletchair

## Flexo Shower-Toiletoir

51005199 (Standard)



### **Important!**

The Flexo should be inspected at least once a year.

Repairs and maintenance should be undertaken only by staff authorised to do so by Lopital Nederland BV, and with original spare parts.

Making changes to the construction could affect the safety of the Flexo. This will also lead to Lopital's liability and warranty conditions being invalidated. As a result, the Flexo will no longer comply with the guidelines for medical devices.

Each inspection or repair must be entered to the log.

### **Manufacturer:**

Lopital Nederland B.V.

Laarakkerweg 9

5061 JR Nederland

T (0031) 13 52 39 300

F (0031) 13 52 39 301

[www.lopital.com](http://www.lopital.com)

E-mail algemeen: [info@lopital.nl](mailto:info@lopital.nl)

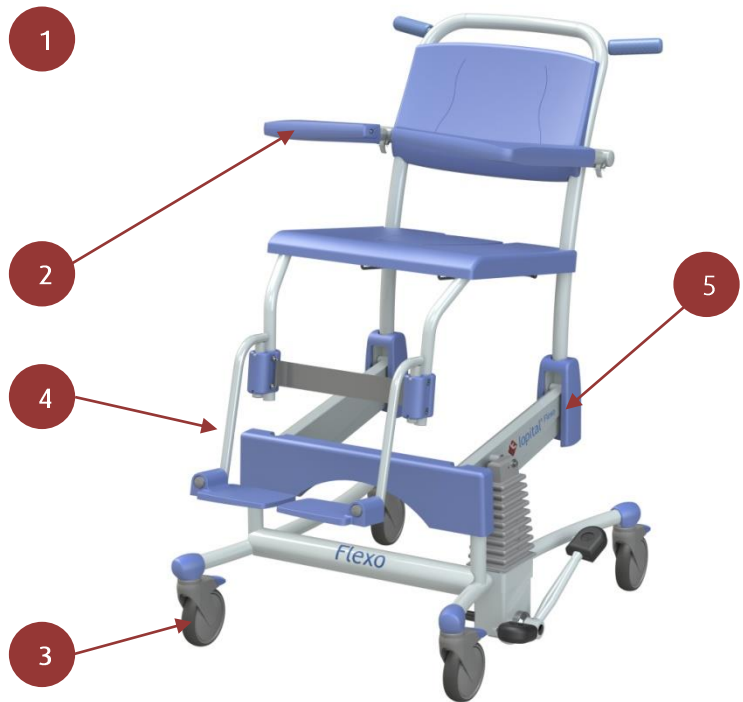
E-mail service: [service@lopital.nl](mailto:service@lopital.nl)

# Index

1. General condition of the chair .....	4
2. Wheels .....	7
3. Arm rests (front closure).....	8
4. Foot support .....	10
5. Replace bolts.....	11

1. General condition of the chair
2. Armrest/front closure
3. Wheels
4. foot support
5. Change bolts

C= Check  
 S= Service/lubricate  
 A= Replacement advised  
 V= Replacement



Month	12	24	36	48	60	72	84	96	108	120
General condition	C	C	C	C	C	C	C	C	C	C
Bellow	C	C	A	C	C	A	C	C	A	C
PUR	C	C	C	C	A	C	C	C	C	A
Front closure	C	V	C	V	C	V	C	V	C	V
Wheels	C	C	C	C	C	C	C	C	C	C
Footrest	C	C	C	C	A	C	C	C	C	A
Bolts U profile	C	C	C	C	C	C	C	C	C	C

# 1. General condition of the chair

Month	12	24	36	48	60	72	84	96	108	120
	C	C	C	C	A	C	C	C	C	A

## Required tools

- Touch- up pen Sikkens A77A2
- Allen Key 8 mm
- Spanner 13 & 15 mm

- Visually check if the log, the instructioncart and the user manual are available. When it's not available, report this by the user.
- Visually check if all stickers are present and legible. Can you read the serial number yet?
- The CE Sticker should be present and clearly legible. This also applies to the sticker with inspection date.
- Visually check all painted parts for damage and corrosion. Touch up if necessary.
- Check PUR parts for severe discolouration (Brown in particular) and damage.
- Are all the screws present and securely fitted? Also that of the guide?
- Check whether the pump pedal is properly secured and the pedal's rubber part is properly fitted.
- Does the chair move up and down smoothly?

## Present:

- Foot supports (not a failure item)
- Lid of seat (not a failure item)

For reasons of hygiene, it is strongly recommended to replace the bellows once every 3 years.

For reasons of hygiene, it is strongly recommended to replacet the seat, lid and back once every 5 years.

#### Required tools

- Open-end spanner 15 mm
- Loctite strong

### Method for replacing bellows:

1. Put the chair in a high position. Pull the bellows from the lever pin and slide them around the pump shaft. (See figure 1 Bellow)

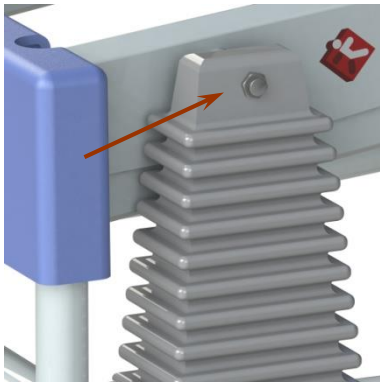


Figure 1 Bellow

2. Detach the screw part. Pull the pump from the lever pin. **PLEASE NOTE: the upper frame is now loose and can go down!**

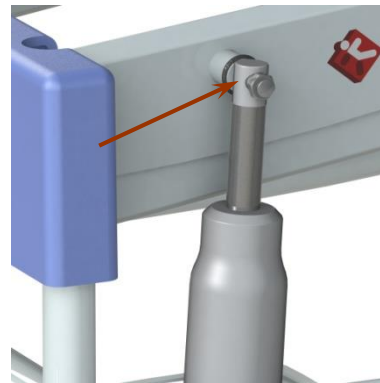


Figure 2 Pump

3. Detach the bellows at the bottom of the bellows plate pull them over the pump.

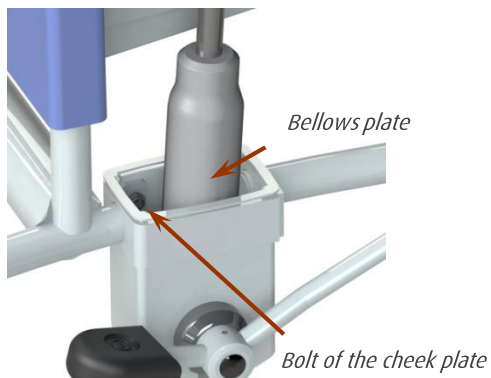


Figure 3 Bolt of the cheek plate

4. Place the new bellows over the pump and slide the pump over the lever pin. Secure the pump with the screw part (seal with Loctite strong). Now fasten the bellows at the bottom onto the bellows plate, and then at the top to the hinge pin.

## Method for replacing the old hinge pin with a 2-part pin:

chairs from before 2006

### Benodigd gereedschap

- Iron saw
- Centre
- Drill 5 mm
- Machine tap M6
- Open-end spanner 15mm
- Sealing agent (Loctite strong)

Chairs from before 2006 are fitted with a fixed hinge pin with a retaining ring. This should always be replaced by a screw part (Art. No. 70519926.)

1. Detach the bellows and slide them around the pump shaft. Remove the retaining ring.

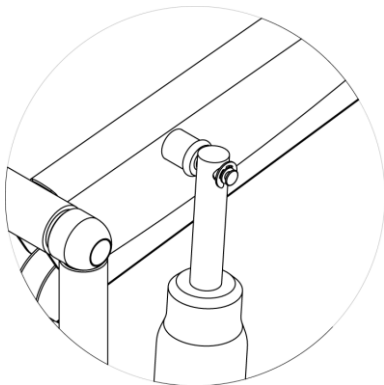


Figure 4 Pump mounting

2. Saw off the hinge pin.

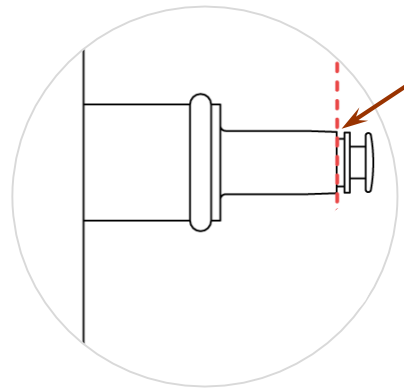


Figure 5 Hinge pin

3. Mark the centre of the shaft.

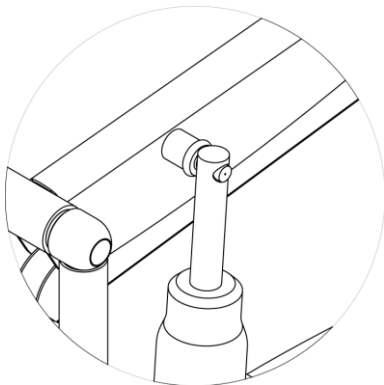


Figure 6 Hinge pin sawed

4. Drill a 5mm hole, at least 20mm deep, and insert tap M6 into the hole. Put the chair on its side so you can drill the hole.

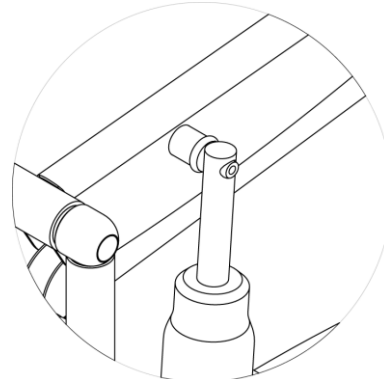


Figure 7 Hinge pin Screw thread

5. Fit the screw part (seal with Loctite). Attach the bellows to the pin.

## 2. Wheels

Month	12	24	36	48	60	72	84	96	108	120
	C	C	C	C	C	C	C	C	C	C

### Required tools

- Allen key 8mm

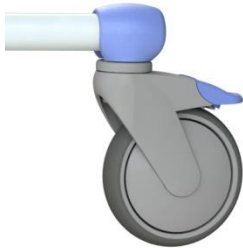


Figure 8 Wheel



Figure 9 wheel exploded

- Check the attachment of the wheel (Tolerance)
- Check freewheel function + brakes.
- Do all four the wheels touch the floor on a flat surface? If not, check the chair right course.
- Brake lip intact?
- Check the tread.

Replace the wheels if they are damaged or worn.

### Older wheels, before July 2014

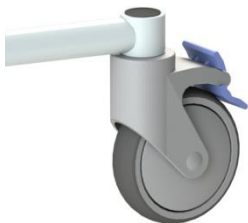


Figure 10 Wheel

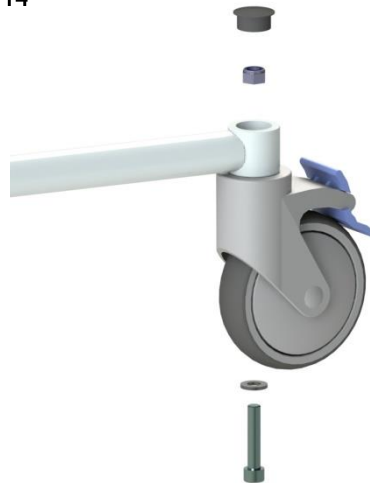


Figure 11 Wheel exploded view

### Required tools

- Boxspanner 17 mm
- Allen key 8 mm

- Check the attachment of the wheel (Tolerance)
- Check freewheel function + brakes.
- Do all four the wheels touch the floor on a flat surface? If not, check the chair right course.
- Brake lip intact?
- Check the tread.

Replace the wheels if they are damaged or worn.

Chairs that are made before July 2014 are equipped with steel wheel clots. For those clots we have a cover to protect against damage.

Place the cover on the steel wheel clots, if it is not done already.

- Remove the decorative plug
- Is there corrosion on the wheel clots?
- Remove loose corrosion with a wirebrush.
- Treat the wheel clots with rust converter Noverox.
- Paint the wheel clots.
- Let the paint dry.
- Place the cover over the wheel clots.

**Required tools**

- Plastic hammer
- Hammerite

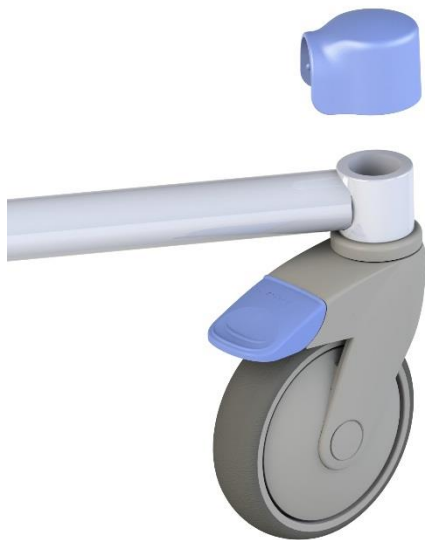


Figure 12 Cover

### 3. Arm rests (front closure)

Month	12	24	36	48	60	72	84	96	108	120
	C	V	C	V	C	V	C	V	C	V

**Required tools**

- Allen key 6mm

- Inspect its functioning, and check for any damage, corrosion.
- Check its room for motion, measured at the front point (replace if it is more than 4 cm.) (See figure 13).
- Always treat corrosion.
- Are the arm supports evenly positioned?
- Slide PUR back if necessary.





- The stainless-steel (A2) bolts should always be replaced by M8x12 DIN912 Zincflake.
- Fastly secure bolts. (See figure 14)

Replace bolts once every 2 years.

Look for an exploded view on [www.lopital.nl](http://www.lopital.nl)

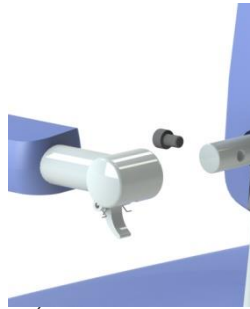


Figure 13 Armrest

## 4. Foot support

Month	12	24	36	48	60	72	84	96	108	120
	C	C	C	C	C	C	C	C	C	C

### Required tools

- Allan key 4mm

- Check for any damage.
- Fold up foot plates (should be stiff and stay upright). (They should remain in the folded position, without falling back automatically)
- Are the foot plates evenly fitted and slanting upwards a little towards the middle?
- Check M5x10 (bottom of plate), and replace stainless-steel bolts with ELVZ 8.8 bolts. (See figure 15)
- Check if the footrest clamps are tight

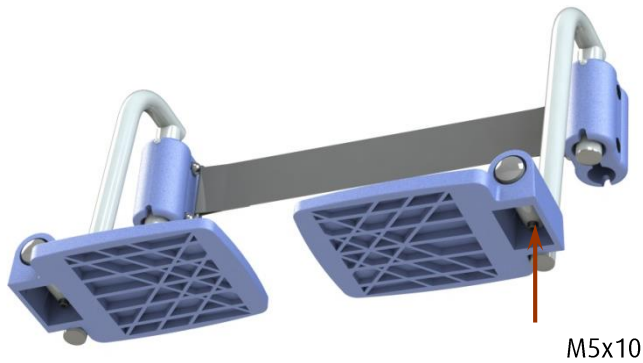


Figure 15 Foot rest

## 5. Replace bolts

Month	12	24	36	48	60	72	84	96	108	120
	C	C	C	C	C	C	C	C	C	C

### Required tools

- replacement set 80005005.
- Allen key 3 mm.
- open-end spanners 13 mm.
- hammer and punch.
- Loctite strong

If the chair can no longer be moved up and down smoothly, the clamping sleeve (Art. No. 70519924) is worn or rusted and should be replaced. When replacing a clamping sleeve, you should also replace the bolts and bearings!

Replacement set Art. No. 80005005.

1. Lift the PUR hinge cover and detach the nuts. Remove the bolts and remove the chair frame from the undercarriage.



Figure 16 Disassemble chair frame

2. Remove the front cover by detaching the bolts at the back of the cover.

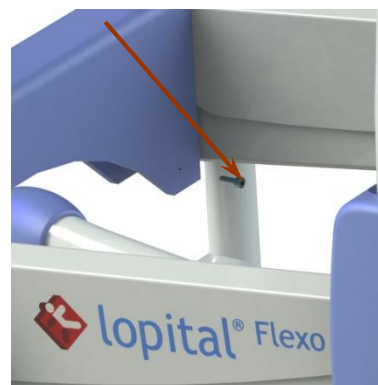


Figure 17 Disassemble frontcap

3. Detach the steering rod.

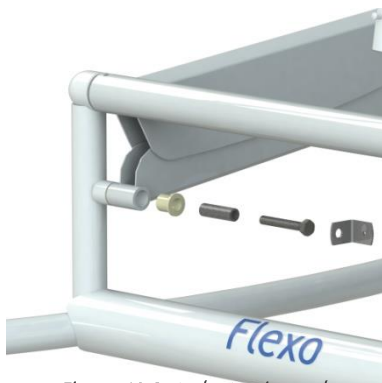


Figure 18 Detach steering rod

4. Remove the clamping sleeve and bearings (they are usually very tight, because of plaster or rust).

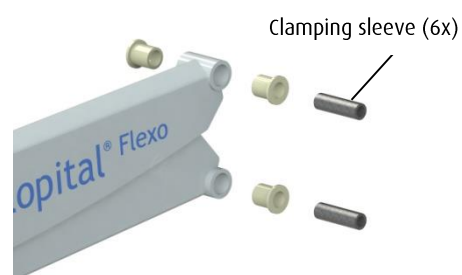


Figure 19 clamping sleeve and bearings

5. Fit the new plastic sleeve bearings and the new clamping sleeves. Put the steering rod back (seal bolt with Loctite strong). Refit the chair frame and fit the bolts and lock nuts.

6. Tighten the nuts and slide down the PUR hinge cover. Check whether the chair moves up and down smoothly.

Chairs dating from before 2006 have steel U shapes which can rust. If they have been severely affected by rust they should be replaced.



For more information, visit our website: [www.lopital.com](http://www.lopital.com)

Lopital Nederland B.V. Laarakkerweg 9, 5061 JR Oisterwijk, Postbus 56, 5060 AB Oisterwijk Tel +31 (0)13 5239300, Fax +31 (0)13 5239301, E-mail [info@lopital.nl](mailto:info@lopital.nl), [www.lopital.nl](http://www.lopital.nl)

