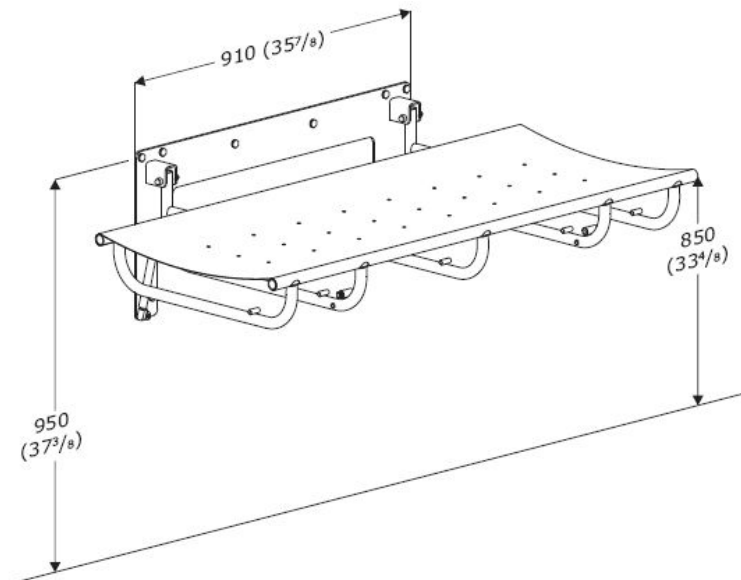


Pressalit Care 1000 Adult Changing Table

(Models R8406/R8407)

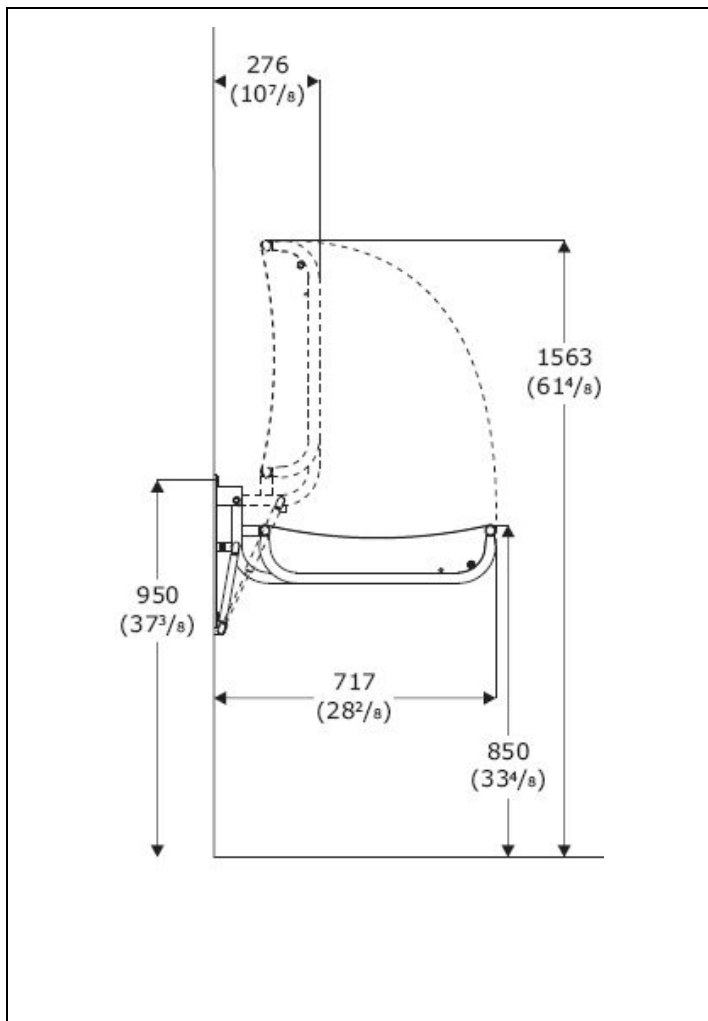
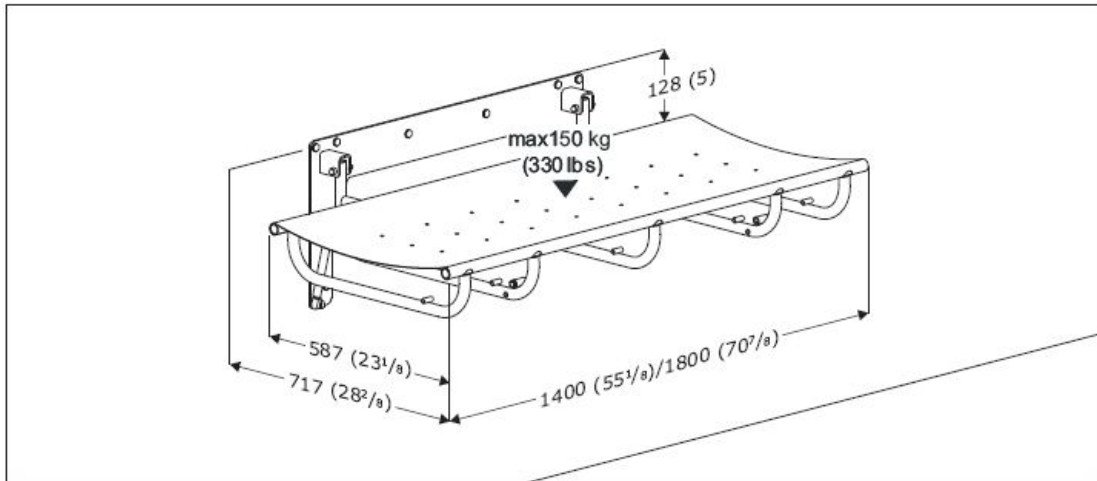
Fixed Height Installation Drawing

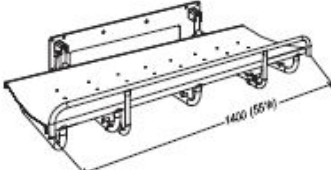
Call us at 800 577-1555 for installation support or technical assistance.



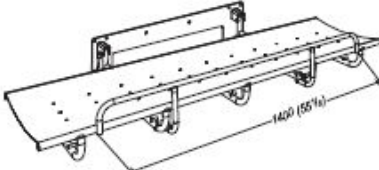
WARNING: Follow all instructions to prevent serious injury or product damage. If any parts are damaged, contact MAX-Ability. Do not attempt to remove, modify, or repair damaged parts unless so instructed by MAX-Ability. Product should be installed by a qualified professional, e.g., a licensed contractor. MAX-Ability is not liable for injury or damage caused by improper mounting.

- This product is designed for indoor use in a wet environment, such as a bathroom, shower, or washroom.
- Use indicated dimensions to mount changing table.
- Choose an installation location with sufficient space for access to and function of the product.
- Check the operation manual for further troubleshooting tips.





R8406



R8407

Important!
Attention Product Owner / Installer:

Before using your newly installed Pressalit Care changing table for the first time, carefully inspect and ensure that:

- All fasteners and anchors are tight.
- The table balance shocks/cylinders are fastened.
- The safety rail and table folding mechanism operate correctly.

Refer to the user manual for inspection intervals, operation and cleaning procedures.